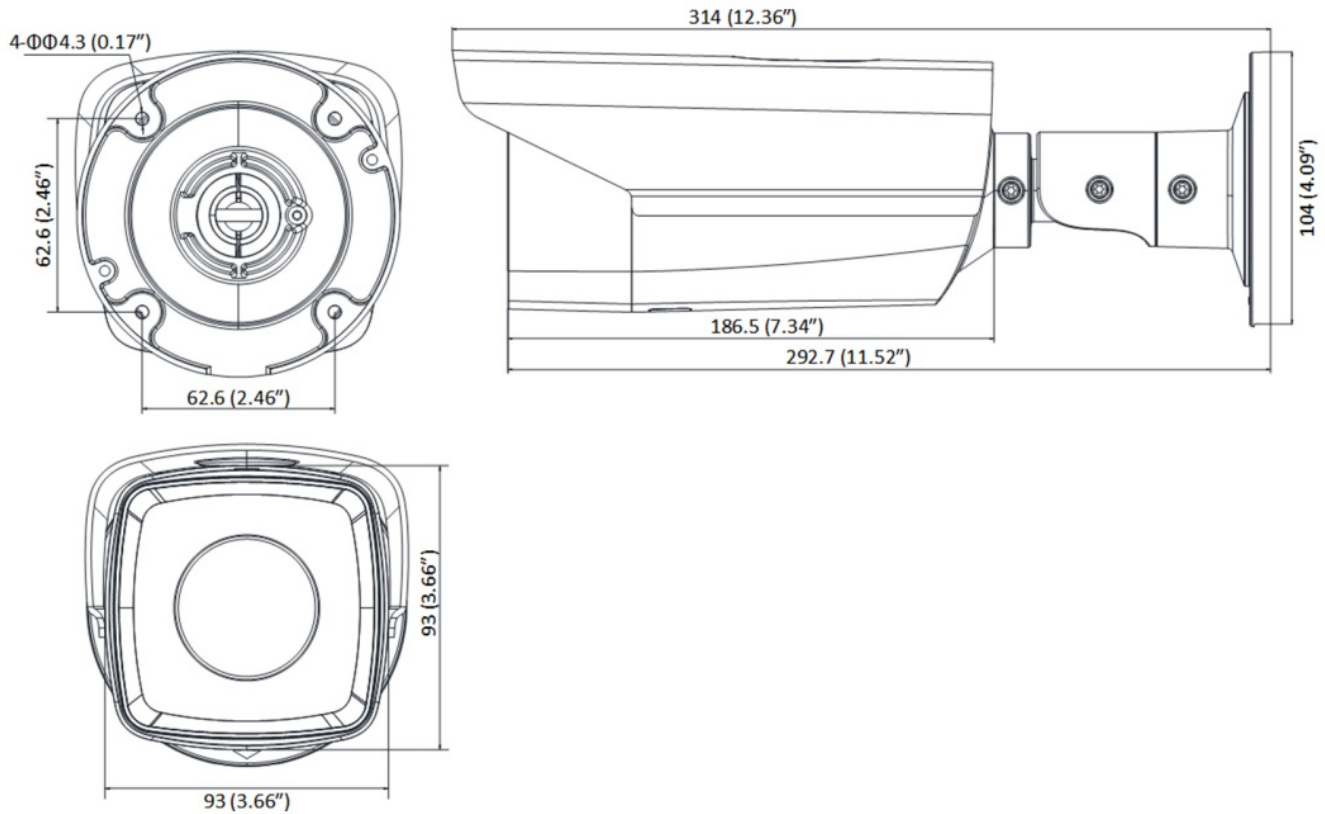


## Thermal Network Bullet Camera

- Max Resolution 384 × 288
- Vanadium Oxide Uncooled Focal Plane Arrays
- Support Fire Detection & Alarms
- Focal Length: 25mm
- Smart Functions
- 2/2 Alarm Integration



## Dimensions



## Technical Specifications

| Thermal Module           |  |                  |         |                   |                 |
|--------------------------|--|------------------|---------|-------------------|-----------------|
| Image Sensor             | Vanadium Oxide Uncooled Focal Plane Arrays                                     |                  |         |                   |                 |
| Effective Pixels         | 384 × 288  |                  |         |                   |                 |
| Lens (Focal Length)      | 25 mm  |                  |         |                   |                 |
| Pixel Interval           | 17 μm  |                  |         |                   |                 |
| Response Waveband        | 8μm to 14μm  |                  |         |                   |                 |
| NETD                     | Less than 40mk (at 25°C, F#=1.0)   |                  |         |                   |                 |
| MRAD                     | 0.68 mrad  |                  |         |                   |                 |
| Field of View            | 14.88° × 11.19° (H × V)  |                  |         |                   |                 |
| Min. Focusing Distance   | 13 m   |                  |         |                   |                 |
| Aperture                 | F1.0   |                  |         |                   |                 |
| Features                 |  |                  |         |                   |                 |
| Bi-spectrum Image Fusion | N/A  |                  |         |                   |                 |
| Picture in Picture       | N/A  |                  |         |                   |                 |
| IR Distance              | N/A  |                  |         |                   |                 |
| IR Intensity and Angle   | N/A  |                  |         |                   |                 |
| DORI                     | Lens   | Detect           | Observe | Recognize         | Identify        |
| Distance                 | 7 mm   | 2411.4 ft (735m) | -       | 603.67 ft (184 m) | 301.8 ft (92 m) |
| Video                    |  |                  |         |                   |                 |
| Compression              | H.265/ H.264/ MJPEG, H.265+/ H.264+ encoding with Baseline/ Main/ High Profile |                  |         |                   |                 |
| Main Stream              | 50fps (384 × 288)  |                  |         |                   |                 |
| Sub Stream               | 50fps (384 × 288)  |                  |         |                   |                 |
| Third Stream             | 50fps (384 × 288)  |                  |         |                   |                 |
| Audio                    |  |                  |         |                   |                 |
| Compression              | G.711u/ G.711a/ G.722.1/ MP2L2/ G.726/ PCM                                     |                  |         |                   |                 |

\*Design and specifications are subject to change without notice.

## Technical Specifications

| Intelligent Functions        |  |
|------------------------------|--|
| VCA (Video Content Analysis) | 4 VCA rule types (Line Crossing, Intrusion, Region Entrance, and Region Exiting), up to 8 VCA rules.                                     |
| Temperature Measurement      | 3 temperature measurement rule types, 21 rules (10 points, 10 regions, and 1 line).  |
| Temperature Range            | -20 °C to 150 °C (-4 °F to 302 °F)   |
| Temperature Accuracy         | ±8 °C (14.4 ° F)   |
| Fire detection               | Dynamic fire point detection, up to 10 fire points detectable.   |
| Network                      |  |
| Ethernet                     | 1 RJ45 10M/100M Self-adaptive Ethernet interface   |
| Protocol                     | IPv4/IPv6, HTTP, HTTPS, 802.1x, Qos, FTP, SMTP, UPnP, SNMP, DNS, DDNS, NTP, RTSP, RTCP, RTP, TCP, UDP, IGMP, ICMP, DHCP, PPPoE           |
| Simultaneous Live View       | Up to 20   |
| Maximum User Access          | Up to 32 users with 3 different levels : Administrator, Operator, User   |
| Security Measures            | User authentication (ID and PW), MAC address binding, HTTPS encryption, IEEE 802.1x access control, IP address filtering                 |
| Interface                    |  |
| Alarm Input                  | 2 channels inputs (0-5V DC)  |
| Alarm Output                 | 2 channels relay outputs, alarm response actions configurable  |
| Alarm Action                 | SD recording/ Relay output/ Smart capture/ FTP upload/ Email linkage/ Preset/ Patrol Scan/ Pattern Scan                                  |
| Audio Input                  | 1 3.5mm Mic in/Line in interface. Line input: 2-2.4V[p-p], output impedance: 1KΩ±10%   |
| Audio Output                 | Linear Level; Impedance: 600Ω  |
| Reset                        | 1 Reset Button   |
| SD Memory Card               | Built-in Micro SD card slot, support Micro SD/ SDHC/ SDXC card (up to 128G), support manual/ alarm recording                             |
| Analog Video Output          | 1.0V [p-p]/75Ω, PAL/ NTSC/ BNC   |
| Client                       | iVMS-4200  |
| Web Browser                  | IE9+, chrome31-chrome44, Firefox 30-Firefox51, Safari 5.02+(mac)   |
| General                      |  |
| Power Supply                 | 24 VAC ± 25%, 12 VDC± 20%, two-core terminal block PoE (802.3at, class 4)  |
| Power Consumption            | 24 VAC ± 25%: 0.84 A, 12 VDC ± 20%: 1.7 A, max. 8W (20W with De-icing Heater On), PoE (802.3at, class 4): 42.5 V to 57 V, 0.4 A to 0.5 A |
| Working Environment          | -40 °C to +50 °C, Less than 90% RH   |
| Ingress Protection           | IP66<br>TVS 6000V Lightning protection, surge protection, voltage transient protection   |
| Weight                       | Approx. 2kg (4.41lb)   |
| Dimensions                   | 314mm × 104mm × 292.7mm (12.36" × 4.09" × 11.52")  |

\*Design and specifications are subject to change without notice.